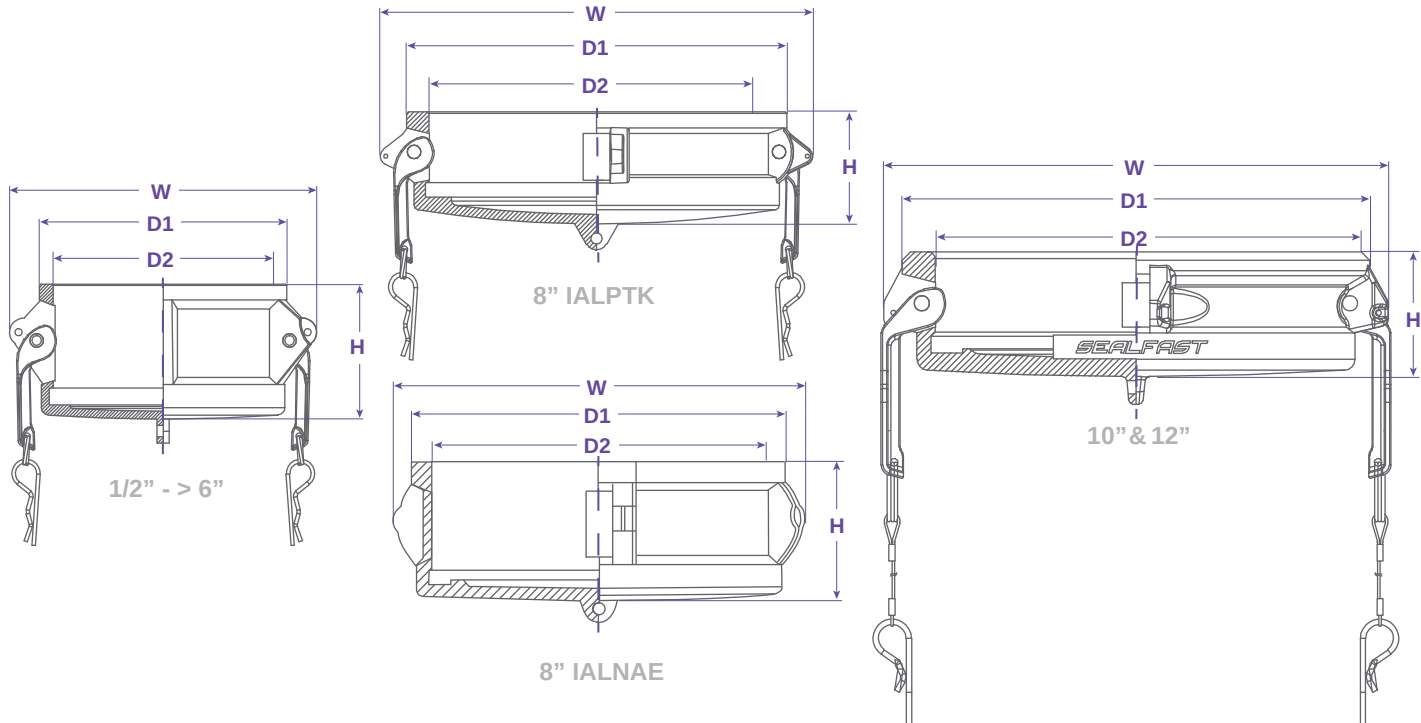




TYPE DC



- NOT DESIGNED FOR PRESSURE APPLICATIONS -

Size	Working PSI	D1	D2	W	H	PART #
1/2"	0	1.264	0.965	2.008	1.181	DC050IAL
3/4"	0	1.614	1.272	2.284	1.280	DC075IAL
1"	0	1.835	1.465	2.598	1.516	DC100IAL
1-1/4"	0	2.260	1.811	2.992	1.850	DC125IAL
1-1/2"	0	2.571	2.122	3.386	1.890	DC150IAL
2"	0	2.992	2.508	3.780	2.126	DC200IAL
2-1/2"	0	3.520	3.008	4.331	2.323	DC250IAL
3"	0	4.138	3.626	5.079	2.323	DC300IAL
4"	0	5.354	4.732	6.181	2.402	DC400IAL
5"	0	6.378	5.752	7.323	2.480	DC500IAL
6"	0	7.579	6.949	8.898	2.638	DC600IAL
8"	0	10.158	9.131	11.575	3.819	DC800IALNAE
8"	0	10.158	8.957	11.260	2.992	DC800IALPTK
10"	0	13.268	11.402	14.478	4.335	DC1000IAL
12"	0	15.276	13.504	16.553	4.364	DC1200IAL

FEATURES & APPLICATIONS:

• **General Uses:**

A camlock fitting is a type of coupling that is used to connecting hose and or pipes together that transfers liquids, powders and granules. A straight through connection is made that maintains the pipe size and allows the free flow of materials being transferred.

WARNING: Cam & Groove Couplings should NOT be used with any compressed gas, including steam or air. Metal fittings should NOT be used with Polypropylene Cam & Groove. Dust Caps and Dust Plugs are NOT designed for pressure applications.

Note: All Seal Fast Cam & Groove Stainless Bodies are 316 Investment with 304 Handles.

TITLE TYPE DC - DUST CAP	
<p>DISCLAIMER</p> <p>All drawings and specifications are subject to change without notice. Drawings represent general dimensions of our products. Seal Fast cannot guarantee the dimensions in the drawing will exactly match those in the drawing. This drawing is the property of Seal Fast Inc. Copying or reproduction of this drawing is expressly prohibited.</p>	<p>MATERIAL</p> <p>A226AL</p>
<p>DRAWING NOT TO SCALE</p>	<p>PART #</p> <p>DC...IAL</p>

